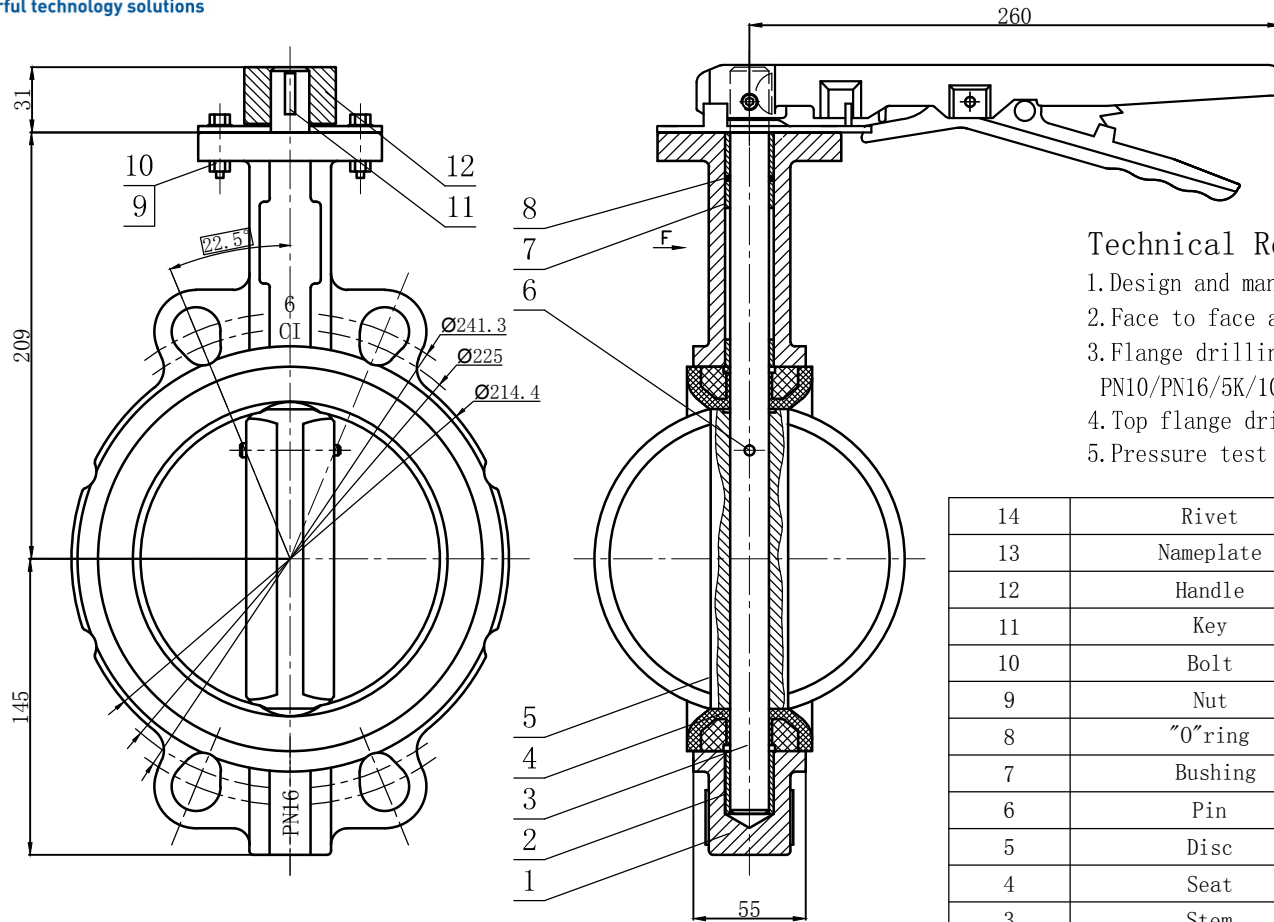


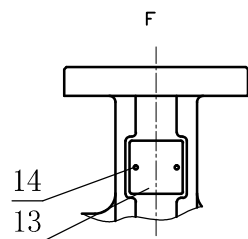
Technical Data	
Test Pressure	
Nominal pressure	PN16
Shell test pressure	24bar
Sealing test pressure	17.6bar



Technical Requirements:

1. Design and manufacture according to GB/T 12238.
2. Face to face according to GB/T 12221.
3. Flange drilling according to CLASS 150/PN6
PN10/PN16/5K/10K/TABLE D/TABLE E.
4. Top flange drilling according to ISO 5211.
5. Pressure test according to API 598.

14	Rivet	2	ML2
13	Nameplate	1	H62
12	Handle	1	CS
11	Key	1	45#
10	Bolt	2	SS201
9	Nut	2	SS201
8	"O" ring	1	NBR
7	Bushing	2	PTFE
6	Pin	1	SS304
5	Disc	1	DI
4	Seat	1	EPDM
3	Stem	1	SS410
2	Bushing	2	PTFE
1	Body	1	CI
NO.	Name	Qty	Material



Mark	No.	Change	File No.	Sign	Date	Assemble Drawing		Butterfly Valve 6" (DN150)
Designer				Standardization		Drawing Mark	Weight	
Corrector								
Auditor				Authorized				
Technologist				Approved by		Total	Pages Total	Pages

150D7A1X-16-00